

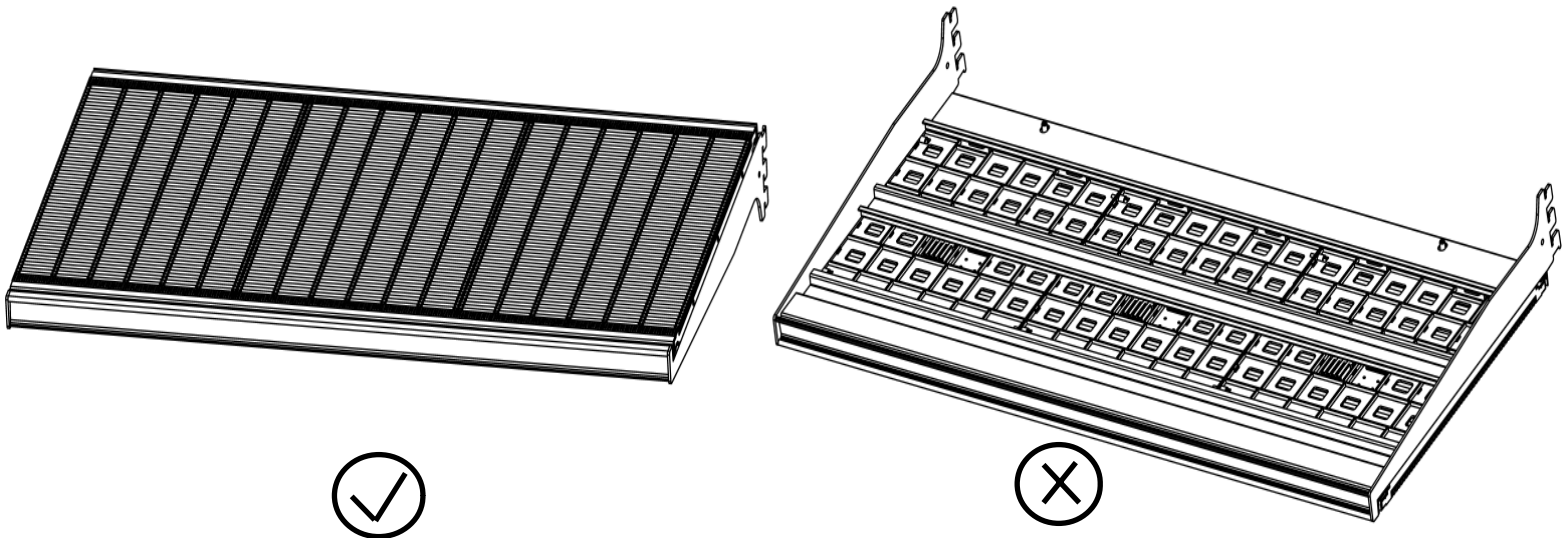
# Installation Instructions

## G4 Gravity-Feed Roller Shelf

Any questions about parts or installation, please contact Sungal Customer Service at 203-505-3479

### WARNING

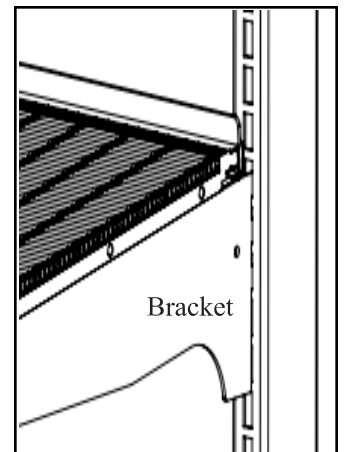
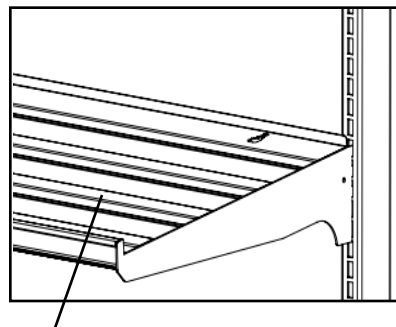
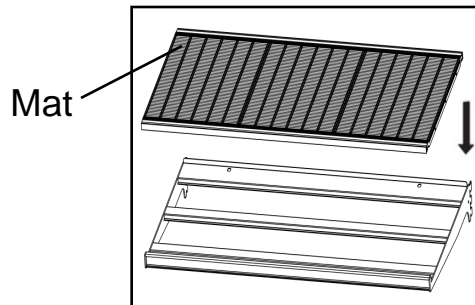
During the installation must keep the mat upward, do not put upside down.



### Step 1: Placing Shelves

Note: Install base deck roller shelf first

- 1 - Remove dividers from bottom of shelf by cutting zip ties.
- 2 - Place steel frame into upright perforation according to POG.
- 3 - Insert the locking pins of mat into the locking holes on the metal frame. Secure mat into metal frame.
- 4 - Work from the base deck up.

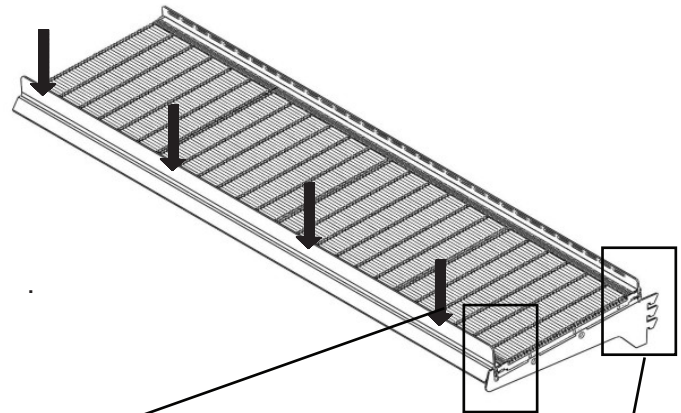
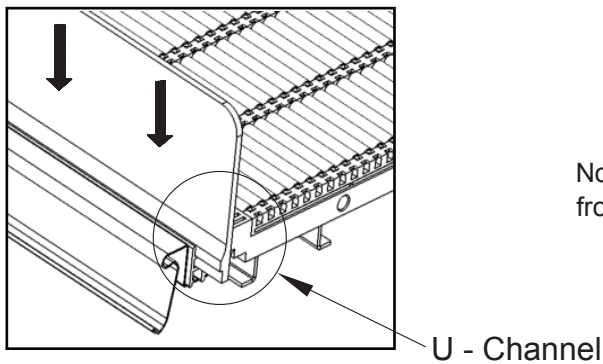


# Installation Instructions

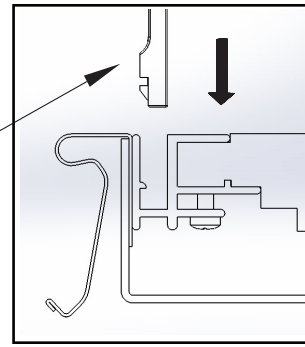
## G4 Gravity-Feed Roller Shelf

### Step 2: Snap in Front and Rear Fences

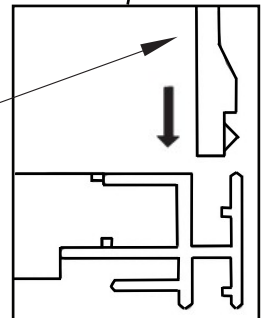
- 1 - Face the nose of the front fence forward.
- 2 - Snap into U - Channel located on the front edge of the shelf.



Nose facing the front of the shelf



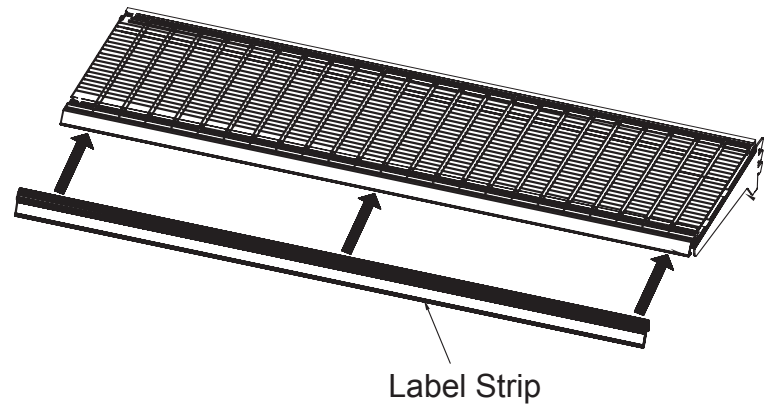
Nose facing the back of the shelf



- 3 - Facing the nose of the rear fence backward.
- 4 - Snap the rear fence into U-Channel located on the rear edge of the Shelf.

### Step 3: Snap on Label Strip

- 1 - Snap Label Strip into front of shelf.

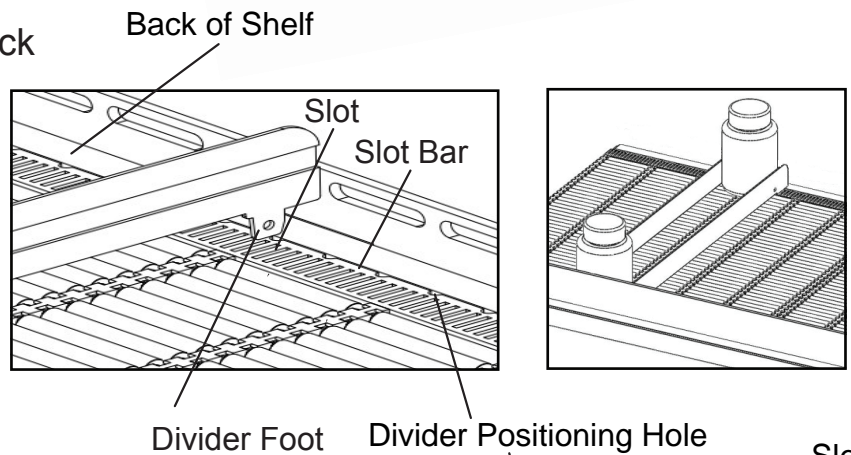
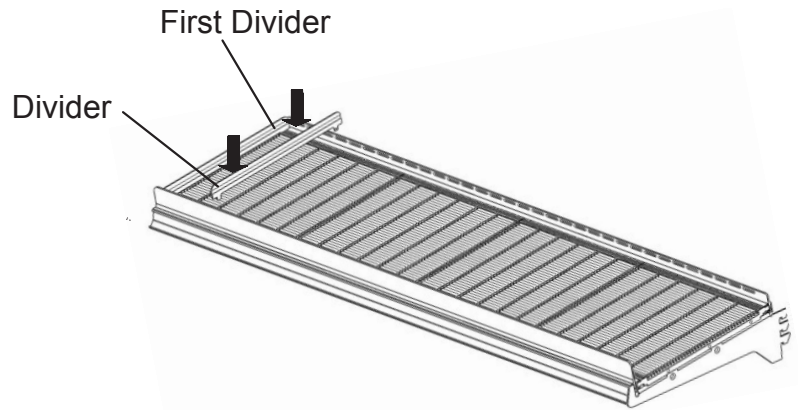


# Installation Instructions

## G4 Gravity-Feed Roller Shelf

### Step 4: Place Dividers

- 1 - Work from one side to the other.
  - 2 - Place the dividers evenly into the front and back slots.
  - 3 - Test by moving merchandise back and allowing to role forward.
  - 4 - Align divider perfectly by checking the divider positioning holes.
- Do not squeeze merchandise in between dividers.



### Note:

Extra Rollers are clipped to the bottom of each shelf.

